

TMX

Control Head by EGMO

TMX control head is compatible with most PLC (Programmable Logic Controllers) automated systems with Digital communication or ASI BUS (AS-interface).

- ✓ Reliable & Cost-Effective
- ✓ Easy maintenance
- ✓ Standard functionality
- ✓ Small

Operating principle

- TMX control head receives signals from a control panel or from a PLC to actuate the valve. It sends a signal to the PLC or to the control panel and indicates the position of the valve.
 - TMX control head is compatible with any process in food & beverage, biopharmaceutical and petrochemical industries.
 - TMX control head incorporates indication and command devices to monitor all butterfly and ball process valves.
 - TMX control head displays valve position connected to Air/Spring actuator:
Dome LED Green: Actuator operated by spring
Dome LED Amber: Actuator operated by air
 - TMX control head displays valve position connected to Air/Air actuator: During initial installation the end user may determine the color indication.
- * It is recommended to use the green color to indicate valve closed position.

Technical specifications

Body Material:	POM
Cover:	Polycarbonate
Sealing:	NBR
Protection class:	IP67
Supply Voltage:	24 [VDC], 110 [VAC], ASIBUS (30 [VDC])
Max. Working temperature	-10°C (14°F) to 50°C (122°F)
Solenoid Valve type:	3/2way (Air/Spring), 5/2 way (Air/Air)
Electrical multiple connections:	M12X (5-pole) connector
Feedback:	Pos. Open (digital) 90° Pos. Closed (digital) 0°
Power consumption:	2.0 [W]
Stroke range Valve spindle:	0° to 90°
Weight:	400 [gr]
Dimensions:	diameter 70 [mm], height: 120[mm]

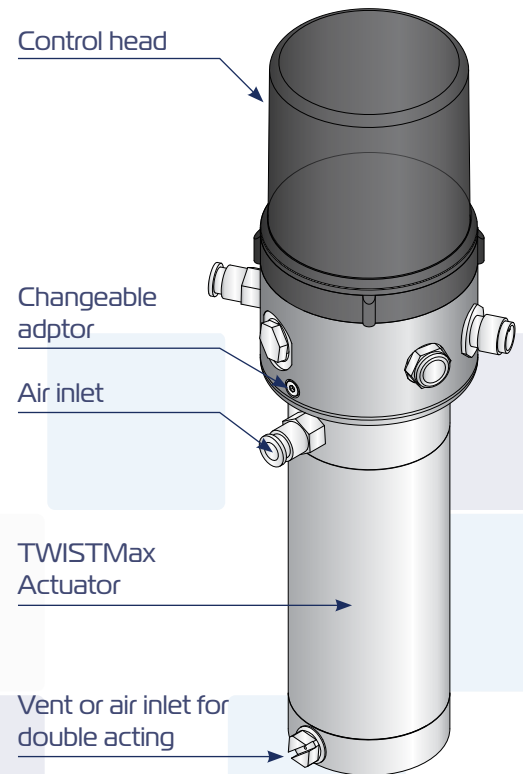




Control Head by EGMO

TMX Control Head - Versions

Part Number	Pneumatic Operation		Power Supply			Notes
	Spring/Air 3/2	Air/Air 5/2	24VDC	110VAC	ASIBUS	
618-00726	√		√			
618-00723		√	√			
618-00725	√				√	29.5 ~ 31.5 VDC
618-00722		√			√	29.5 ~ 31.5 VDC
618-00727	√			√		
618-00724		√		√		



Operation lead time using control head

TWISTMax Model	Air Operation [sec]	Spring Operation [sec]
TMX 4 (35.3cc)	0.1	0.3/ *0.1
TMX 5 (68.1cc)	0.3	0.6/ *0.1
TMX 7 (138.3cc)	0.6	1.2/ *0.3
TMX 9 (300cc)	1.4	2.7/ *0.5
TMX 11 (626.4cc)	3.0	5.7/ *1.0
TMX 15 (1700cc)	8.3	15.7/ *3.0

*The right value indicates the spring operation time using a pressure relieve valve

How to Order

To specify the part completely, start with the product description and select the additional options as shown below:

